



Model	Pressure
PJDA 1	0.34 > 1.7 bar
PJDA 2	1.7 > 4 bar

Diaphragm	Temperature Range
Nitrile	-26°C to 110°C
EPDM	-23°C to 121°C
Viton®	-18°C to 150°C

Electrical	5A (12/24 VDC) - (125/250 VAC)
Protection	DIN 43650A IP65
Mechanical Life	1,000,000
Diaphragm Material	Nitrile (standard), Viton® and EPDM options.
Housing Material	Brass (standard)
Max. Overpressure	35 bar
Repeatability	+/- 2% full set point @21° C
Differential	10-20%
Weight	0.18kg

Notes:

- Average switch differential ranges are from 15-20% of full set point range
- Over pressure to 35 bar
- All switches are CE compliant
- Can be supplied with gold contacts for use with PLCs or where (less than 12 volts and 20 milliamp) switching is required
- Viton has a much reduced mechanical life

How to Adjust Pressure Switch Setting

Step 1. Connect high pressure port to pressure source and adjust with 1/8" Allen screw through centre of low port

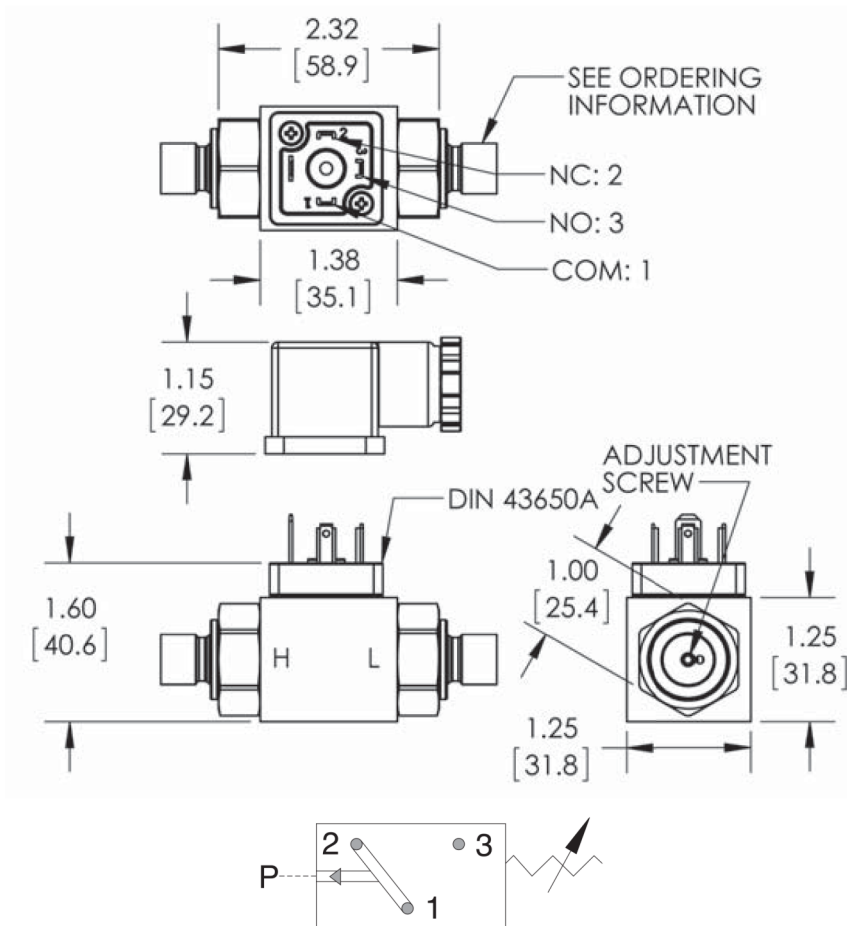
Step 2. Adjust clockwise set point adjustment to increase set point and counter clockwise to decrease

Step 3. Connect low port to outlet side of filter etc.

Standard Electrical Circuit		
Black	1	Common
Green	2	Normally Closed
Red	3	Normally Open



Follow the ordering system to produce your required differential pressure switch



PJDA	-	X	-	XX	-	XX	-	X	-	XX	-	X
	RANGES		HI PORT		Low PORT		CIRCUIT		EC CONNECTION		OPTIONS	
	0.34 > 1.7 bar	1	1/4" BSPP Male	4G	1/4" BSPP Male	4G	Circuit	C	DIN Plug	HC	Viton	1
	1.7 to 4 bar	2	1/4" NPT Male	4M	1/4" NPT Male	4M					EPDM	2
											Restrictor	SN
											Oxygen Cleaned	OX
											Gold Contacts	G