



FEATURES:

- Duel LED display
- Fahrenheit and Celsius
- Display range -199~1800°C
- Auto-tuning PID adjustment to choose for different applications or environments to be controlled
- Available for many TC or RTD inputs
- Precise, stable and simple to use

SPECIFICATIONS:

Power Supply: 90-260V AC/DC or 18-30V DC

Consumption: ≤ 5VA

Display Range: -199—1800°C

Accuracy: 0.3% F.S ± 2 digit

Sampling Cycle: ≤ 300ms

Main Output: RELAY: normally open, AC 250V/3A, DC 30V/3A, SSR/Logic: 24VDC ± 2V/20mA

Alarm: RELAY: normally open, AC 250V/3A, DC30V/3A, SSR/Logic: 24VDC ± 2V/30mA

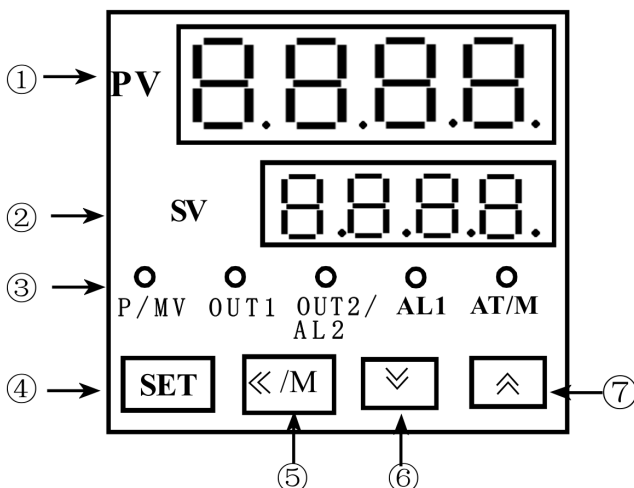
Withstanding Voltage Strength: 1500V Rms (Between power terminal and the housing)

Insulation resistance: Min 50M Ω (500V DC) (Between power terminal and the housing)

Environmental temperature: 0-50°C

Environmental humidity: 35-85% RH

Weight: ≤250 grams



1. Measured Value (PV) / parameter symbols
2. Set Value (SV) / parameters pre-set value
3. Indication lamps
 - OUT 1:** Heating/Main control output lamp
On: Output—Off: No output
 - OUT 2/AL2:** Colling/Alarm 2 output lamp
On: Output—Off: No output
 - AT/M:** On: manual operation—Off: auto operation—
Flash: under autotuning estate
 - P/MV:** SV/MV display setting
 - AL1:** Alarm 1 lamp On: Alarm—Off: No alarm
 - AL2:** Alarm 2 lamp On: Alarm—Off: No alarm
4. Set key, Parameter Setting/Changing
5. Shift/Autotune key (Press this key to shift digit of parameter value setting. Or hold this key for more than 3 seconds can enter/quit autotune estate. When entering autotune estate, AT lamp is on, When quitting autotune estate, AT lamp is off.
6. Down key
7. Up key