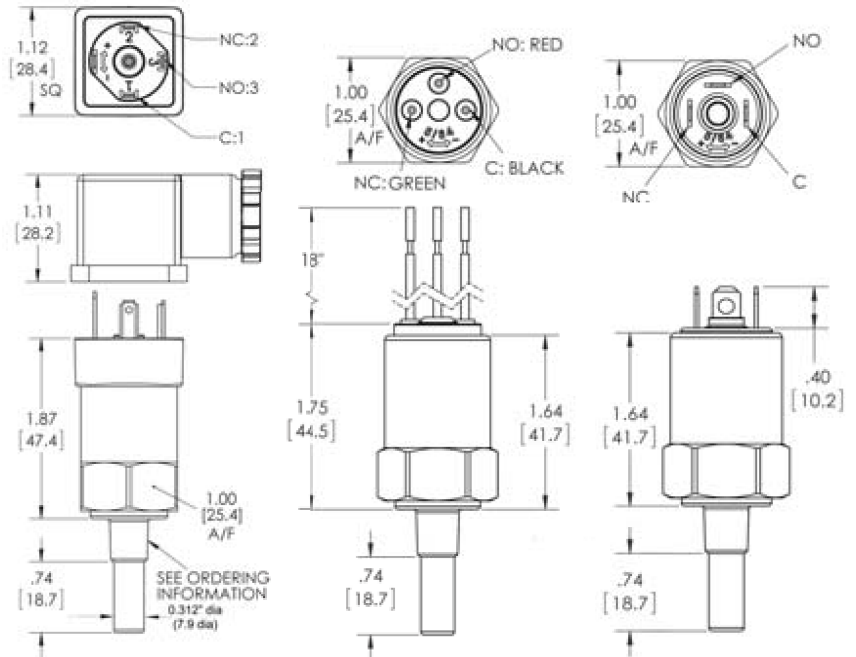




Providing protection for engines, pumps, compressors, gear boxes, hydraulic reservoirs, marine, industrial power plants and more.



HC -DIN Plug

FL - Flying Leads

SP - Spade Terminal

Temperature Range		
PDTF	5°C-150°C	40°F-300°F

<b>Electrical</b>	5A (12/24 VDC) - (125/250 VAC)
<b>Protection</b>	DIN IP65 - HC, Spade Terminal IP00 - SP, Flying Leads IP69 - FL
<b>Housing Material</b>	Brass
<b>Max. Overpressure</b>	52 bar
<b>Max. Temperature</b>	163°C
<b>Max. Overload</b>	28°C above set point
<b>Tolerance</b>	±3°C

PDTF	-	XXX	-	X	-	XX	-	X	-	XX
	TEMPERATURE SET POINT		DIRECTION		CONNECTION		SWITCH		EC CONNECTION	
	Specify set point required (5°C-150°C)	eg. 100C	Rising	R	3/8" NPT	6M	Normally Open	A	DIN Plug	HC
			Falling	F	1/2" NPT (standard)	8M	Normally Closed	B	Flying Leads	FL
					Other sizes can be sourced upon request		Change Over (standard)	C	Spade Terminal	SP