



**VB15**



**VB20**

#### Your advantages

Series	VB
	<ul style="list-style-type: none"> <li>• Compact design</li> <li>• Easy installation</li> <li>• Reliable, no wearing parts</li> <li>• No auxiliary power required</li> </ul>

#### Technical data

Type	Set value (flow rate) [l/min]*
VB1503SR...	3
VB1504SR...	4
VB1506SR...	6
VB1507SR...	7
VB1508SR...	8
VB1510SR...	10
VB1512SR...	12
General data	
<b>Tolerance of control</b>	≤ 5 l/min: ±15 % > 5 l/min: ±10 %
<b>Medium temperature</b>	10...60 °C
<b>Working pressure</b>	1...10 bar
<b>Diameter</b>	DN 15
<b>Process connection</b>	G½

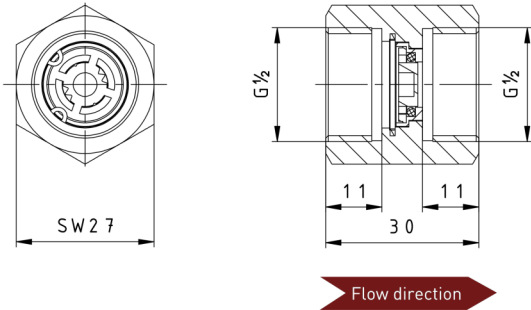
\* Water, 20 °C

#### Technical data

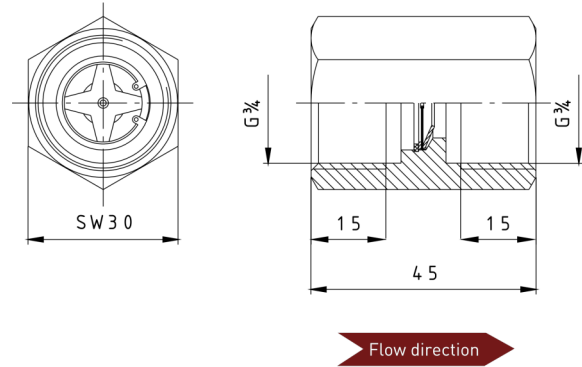
Type	Set value (flow rate) [l/min]*
VB2001ER...	1
	Set values 1...30 l/min in 1 l/min steps available
VB2030ER...	30
General data	
<b>Tolerance of control</b>	< 3 l/min: ±15 % > 3 l/min: ±10 %
<b>Medium temperature</b>	-20...200 °C
<b>Working pressure</b>	2...10 bar
<b>Diameter</b>	DN 20 (optional DN 15)
<b>Process connection</b>	G¾ (optional G½)



**VB15**



**VB20**



**Materials in contact with fluid**

Type	VB15	VB20
<b>Pipe section</b>	Brass CW617N or stainless steel 1.4571	Brass CW617N or stainless steel 1.4305
<b>Inner parts</b>	EPDM, Hostaform C POM, stainless steel 1.4422	Stainless steel 1.4310 / 1.4301 / A2

**Order code**

Set value		
3 l/min	VB1503SR	
4 l/min	VB1504SR	
6 l/min	VB1506SR	
7 l/min	VB1507SR	
8 l/min	VB1508SR	
10 l/min	VB1510SR	
12 l/min	VB1512SR	
<b>Material</b>		
Brass		MS1
Stainless steel		VA1
<b>Example order number</b>	<b>VB1503SR</b>	<b>MS1</b>

**Order code**

Set value		
1 l/min	VB2001ER	
2 l/min	VB2002ER	
Requested set value in steps of 1 l/min		
30 l/min	VB2030ER	
<b>Material</b>		
Brass		MS3
Stainless steel		VA3
<b>Example order number</b>	<b>VB2001ER</b>	<b>MS3</b>